

# Control Systems Group

## International Conference 2007

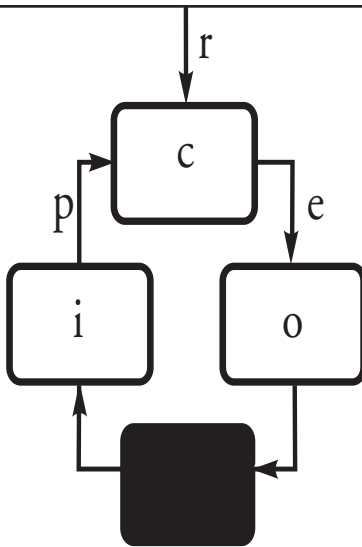
Chancellors Hotel, University of Manchester, UK

Tue 29<sup>th</sup> October - Sat 2<sup>nd</sup> November 2007

Tuesday	Introduction to Perceptual Control Theory: Full Day	Led by Bill Powers
Wednesday	Method of Levels using PCT: Full Day Workshop	Tim Carey
Thursday	CSG Symposia – Day One  8 x 45 minute Presentations & Discussion Sessions	To be announced*
Friday	CSG Symposia – Day Two  8 x 45 minute Presentations & Discussion Sessions	To be announced*
Saturday	Parallel half day sessions - e.g., Method of Levels, etc., depending on interest	Various

For information on the venue, please see:  
<http://www.conference.manchester.ac.uk/chancellorshotelconferencecentre/>

For information on Manchester, please see:  
<http://www.visitmanchester.com/>



## What do we need now?

- If you are planning to present a paper, submit an abstract to the Organising Committee at [timothy63@aol.com](mailto:timothy63@aol.com) by *31<sup>st</sup> January 2007*.
- *\*Full conference programme announced by 31<sup>st</sup> April 2007.*
- Complete the booking form for the days you plan to attend. The cost will be £110 per person per day – this includes full board and use of all conference facilities. *Payment is needed by 11<sup>th</sup> December 2006 to secure the venue and these prices for 2007. The cost of £110 per person per day will increase in 2007.*
- The Organising Committee will contact you closer to the due date to request payment by cheque or banking order.

The Organising Committee contact people are  
Tim Carey and Warren Mansell  
(contact: [timothy63@aol.com](mailto:timothy63@aol.com))